

Deck collapses are often caused by failure of the connection where the deck is attached to the main structure due to little or no lateral capacity. ADTT-TZ is an Adjustable Deck Tension Tie designed to effectively transfer the out of plane lateral loads of the deck to the house structure.

Features:

- Exceeds "Hold-Down Device" requirements per 2018 IRC, Section 507.9.2 [Figure R507.9.2(2)]
- Adjustable design allows lag screw installation at variable distance below deck joist.
- 2-hole break-out washer (BO-W) will work with multiple screw sizes.
- Blocking extensions not required.

Materials: 14 gauge

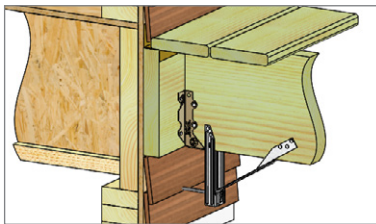
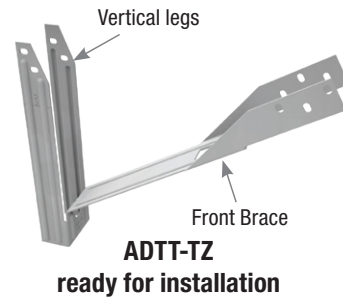
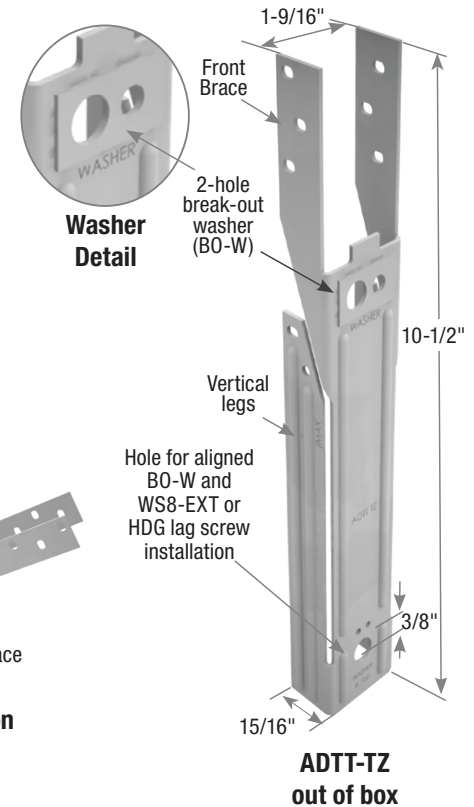
Finish: G-185 galvanizing

Codes: IBC, FL, LA

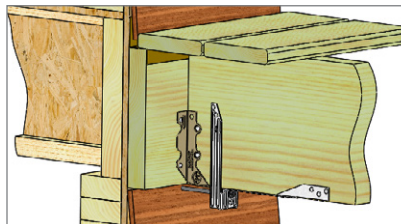
Patent No.: U.S. Patent No. 9,809,974

Installation:

- Install with MiTek's WS8-EXT wood screw or 3/8" HDG lag screw. MiTek WS8-EXT or 3/8" HDG lag screws may be installed adjacent or up to 4-3/8" below deck joist (see Figure A).
- Drive screw horizontally and aligned vertically with the deck joist into the wall top plate of the main (house) structure.
- Install four (4) of the specified joist fasteners into vertical legs (Two (2) on each side of deck joist).
- Secure front brace with six (6) specified joist fasteners.
- Re-tighten the WS8-EXT or 3/8" HDG lag screw as needed to fully engage with the ADTT-TZ. **DO NOT OVERDRIVE. Note:** Minimum 3" thread penetration required for proper installation of the WS8-EXT or HDG lag screw.
- For detailed installation instructions refer to www.MiTek-US.com



Extended Installation



Contracted Installation

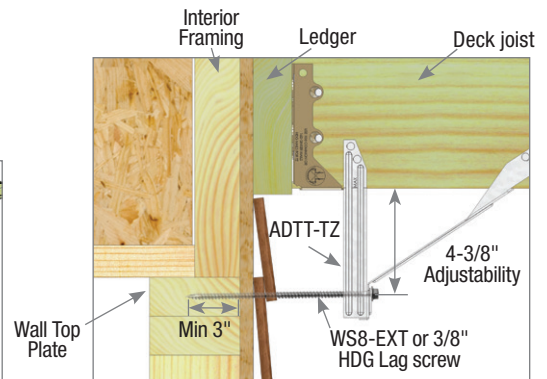


Figure A

MiTek Stock No.	Ref. No.	Steel Gauge	Fastener Schedule				Installation Type ¹	DF/SP Allowable Tension (Lbs.)		S-P-F Allowable Tension (Lbs.)	Ctn Qty
			Wall		Joist			160%	Δ (in) at 160% ²	160%	
			Qty	Type ^{3,4,5}	Qty	Type ^{6,8}					
ADTT-TZ	DTT1Z	14	1	3/8" HDG Lag Screw	10	10d x 1-1/2 HDG	Contracted	820	0.070	820	40
					10	LL915	Extended	850	0.117	810	
					10	LL915	Contracted	820	0.121	780	
					10	LL915	Extended	790	0.114	780	
			1	WS8-EXT	10	10d x 1-1/2 HDG	Contracted	830	0.080	780	
					10	LL915	Extended	835	0.113	780	
					10	LL915	Contracted	830	0.121	780	
					10	LL915	Extended	790	0.114	780	
ADTT-TZKT ⁷	DTT1Z-KT	14	1	WS8-EXT	10	LL915	Contracted	830	0.121	780	8
					10	LL915	Extended	790	0.114	780	

- 1) Allowable loads are for the ADTT-TZ installed tight to the bottom of the joist (Contracted) or 4" from bottom of joist to ADTT-TZ bend line (Extended).
- 2) Deflections are derived from static, monotonic load tests of devices connected to DF wood members with specified fasteners.
- 3) WS8-EXT is a 1/4" dia. x 8" long double barrier coated screw sold by MiTek and must be ordered separately if not purchasing the kit. The minimum thread penetration into the top plate of the wall framing is 3".
- 4) 3/8" HDG Lag Screw is an ASTM A307 Grade A lag screw with a thread diameter of 3/8" and is hot-dip galvanized to ASTM A153 standards. The minimum thread penetration into the top plate of the wall framing is 3". Lag screws are available at your local hardware store and must be purchased separately.
- 5) Check with your siding manufacturer for recommendations for fastening through your siding material.
- 6) LL915 denotes a MiTek LumberLok Screw, #9 x 1-3/8" long and must be ordered separately if not purchasing the kit.
- 7) ADTT-TZKT is a kit with (4) ADTT-TZ packaged with MiTek's WS8-EXT screws and LL915 LumberLok screws.
- 8) Nails: 10d x 1-1/2 nails are 0.148" dia. x 1-1/2" long.

Customer Service & Technical Assistance

Phone: 1-800-328-5934 • Fax: 1-952-898-8605 • Email: customerservice@mii.com