

The RT7AT Hurricane Tie universal design connects a wide variety of roof framing members to a double top plate. The RT7AT is also designed to attach to a 2x4 or larger truss bottom chord on one leg while fastening to the double top plate on the opposite leg. The reversible design simplifies installation eliminating the left and right connector versions and confusion in the field.

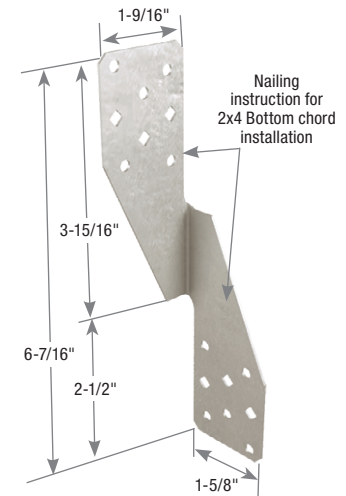
Features:

- Diamond shaped, optional holes for nail installation into 2x4 bottom chords of trusses
- Reversible design reduces possibility of improper installations
- Hunting for lefts and rights in box is not required with the RT7AT with reversible design
- Clear instructions embossed on the part to aid proper installation
- Universal design for most truss/rafter to top plate construction

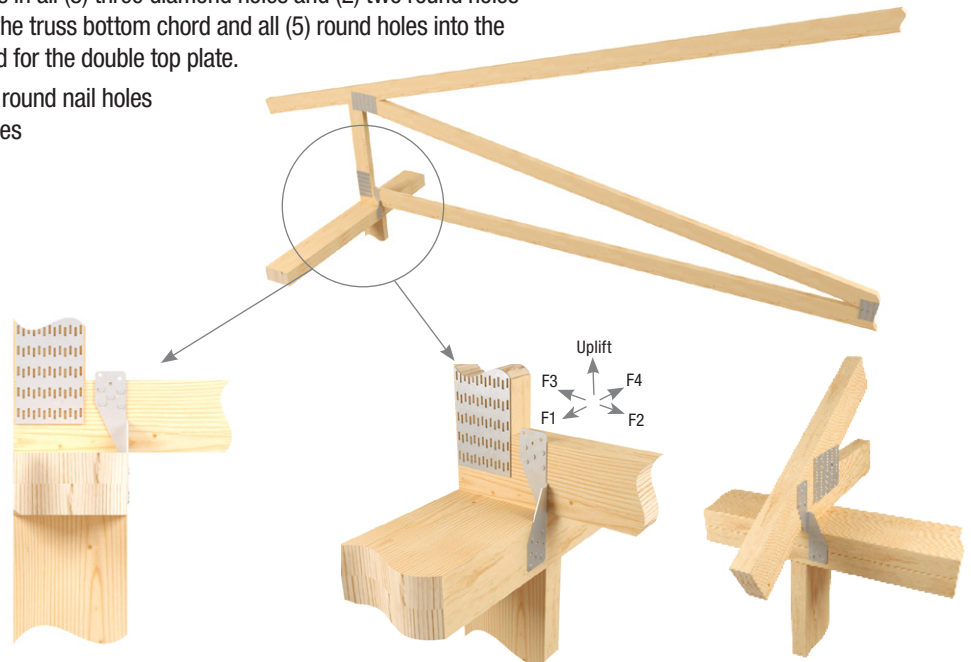
Materials: 18 gauge
Finish: G90 galvanizing
Codes: FL

Installation:

- **Typical Roof Rafter/Truss 2X Installation:** Install nails in all (5) five round holes into the rafter/truss and all (5) five round holes into the double top plate. Diamond holes not required.
- **2x4 Bottom Chord Installation:** Install nails in all (3) three diamond holes and (2) two round holes inside boxed area (see RT7AT product) into the truss bottom chord and all (5) round holes into the double top plate. Diamond holes not required for the double top plate.
- **2x6 or Larger Bottom Chord:** Install all (5) round nail holes into the rafter/truss and all (5) round nail holes into the double top plate.



RT7AT



Typical RT7AT side view
2x4 bottom chord installation

Typical RT7AT
2x4 bottom chord installation

Typical RT7AT
installation

MiTek Stock No.	Ref. No.	Steel Gauge	Fastener Schedule ^{2,3}				DF/SP Allowable Loads (Lbs.) ¹					S-P-F Allowable Loads (Lbs.) ¹					Ctn Qty
			Truss/Rafter		Plate		Uplift 160%	Lateral				Uplift 160%	Lateral				
			Qty	Type	Qty	Type		F1 160%	F2 160%	F3 160%	F4 160%		F1 160%	F2 160%	F3 160%	F4 160%	
RT7AT	H2.5T	18	5	8d x 1-1/2	5	8d x 1-1/2	480	250	150	240	165	425	200	145	240	165	100

1) Allowable loads have been increased 60% for wind or seismic loads; no further increase shall be permitted.
 2) The RT7AT connects roof members to the double top plate. A design professional needs to maintain a continuous load path to the foundation.
 3) **NAILS:** 8d x 1-1/2 are 0.131" dia. x 1-1/2" long.