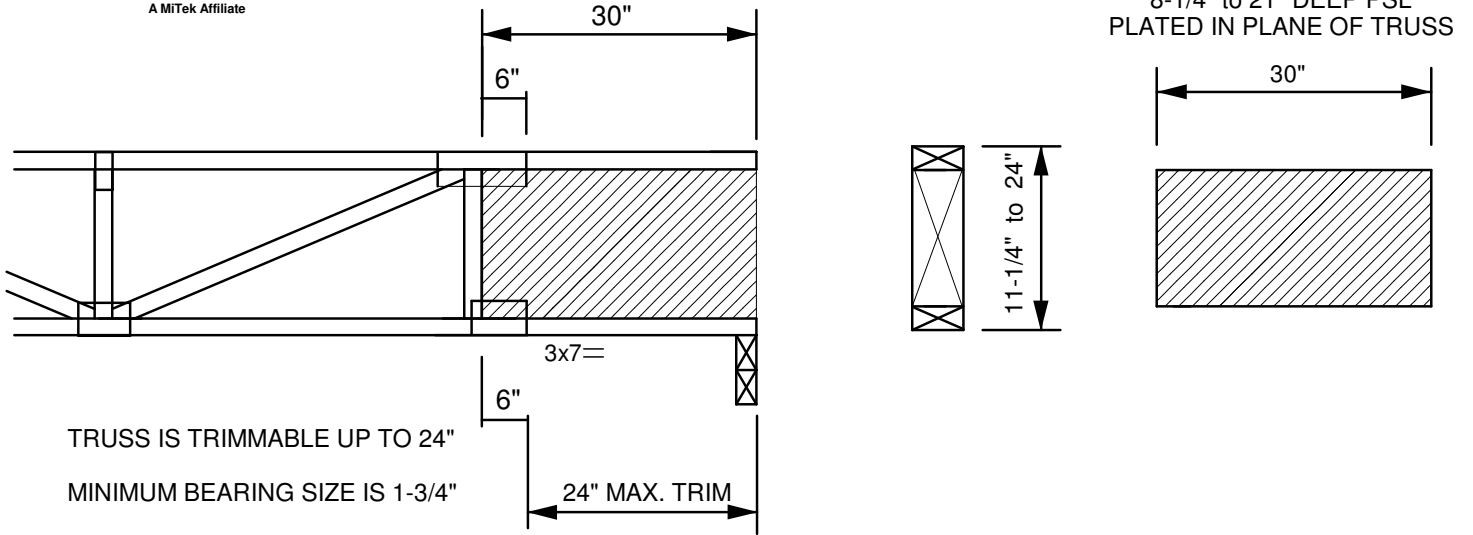


MiTek USA, Inc.



SEE THE MiTek TRUSS DESIGN
REFERENCING THIS DETAIL
FOR ADDITIONAL DESIGN INFORMATION



TRUSS IS TRIMMABLE UP TO 24"

MINIMUM BEARING SIZE IS 1-3/4"

MINIMUM SPECIFIC GRAVITY FOR
TRUSS CHORD MEMBERS IS 0.42

PSL: Parallel Strand Lumber as described in ICC-ES Evaluation Report ESR-1387

DEPTH	MAX REACTION
11-1/4"	809 lbs
12"	899 lbs
13"	1019 lbs
14"	1138 lbs
15"	1258 lbs
16" - 24"	1320 lbs