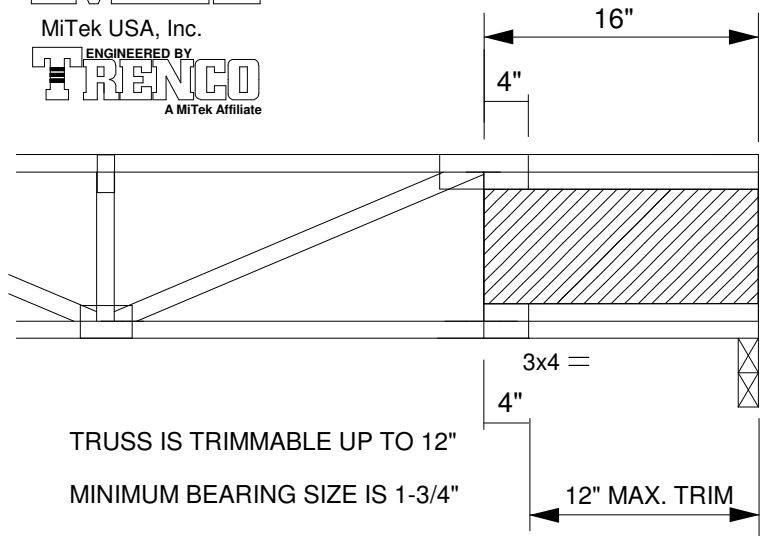
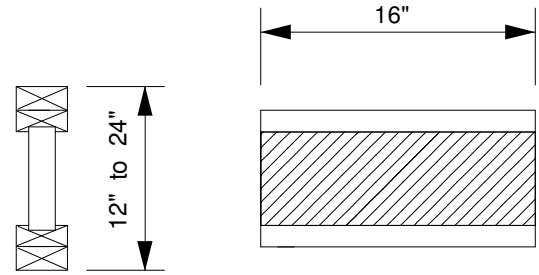


SEE THE MiTek TRUSS DESIGN  
REFERENCING THIS DETAIL  
FOR ADDITIONAL DESIGN INFORMATION



6-1/4" to 21"  
PRE-FABRICATED  
WOOD "I - JOIST "  
PLATED IN PLANE OF TRUSS



TRUSS IS TRIMMABLE UP TO 12"  
MINIMUM BEARING SIZE IS 1-3/4"

MAX REACTION FOR 1-3/4" TO 3-1/2" BRG.	
DEPTH	SPF
9-1/4"	727 lbs
11-1/4"	1033 lbs
12"	1148 lbs
14" - 24"	1200 lbs

WOOD "I - JOIST " MINIMUM REQUIREMENTS			
FLANGE MUST MATCH TRUSS CHORDS IN BOTH SIZE AND SPECIES			
REACTION LIMITS WITHOUT WEB STIFFENER MUST BE = TO OR > THAN REACTIONS SHOWN			
SPF FLANGE Ft	3x2 =	535 psi	4x2 = 382 psi