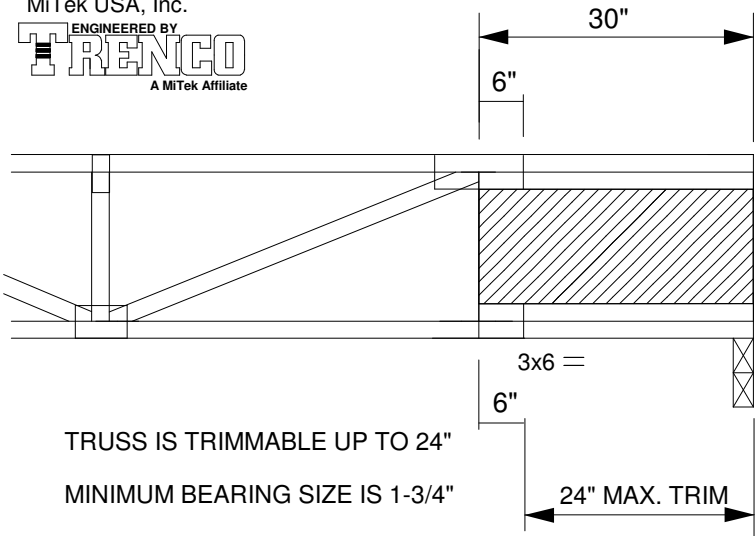
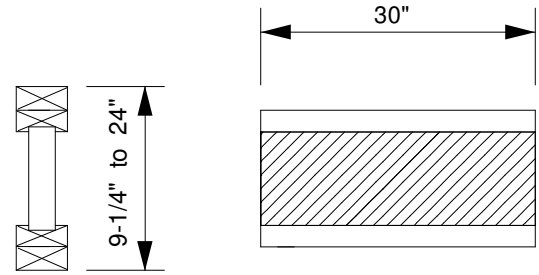


MiTek USA, Inc.
 ENGINEERED BY
TRENCO
 A MiTek Affiliate

SEE THE MiTek TRUSS DESIGN
 REFERENCING THIS DETAIL
 FOR ADDITIONAL DESIGN INFORMATION



6-1/4" to 21"
 PRE-FABRICATED
 WOOD "I - JOIST "
 PLATED IN PLANE OF TRUSS



TRUSS IS TRIMMABLE UP TO 24"
 MINIMUM BEARING SIZE IS 1-3/4"

24" MAX. TRIM

MAX REACTION FOR 1-3/4" TO 3-1/2" BRG.	
DEPTH	SPF
9-1/4"	548 lbs
11-1/4"	778 lbs
12"	865 lbs
14"	1096 lbs
16" - 24"	1235 lbs

ROM-BLOC MINIMUM REQUIREMENTS:

SPF FLANGE MUST MATCH TRUSS CHORDS SIZE

SPF FLANGE Ft 3x2 = 803 psi 4x2 = 574 psi

SPF FLANGE Fc 3x2 and 4x2 = 425 psi

MIN VERTICAL SHEAR CAPACITY = 1086 lbs.

MIN VERTICAL LOAD CAPACITY = 490 lbs/in