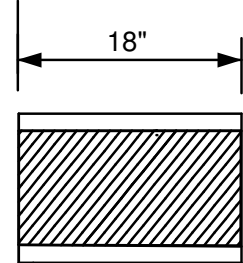
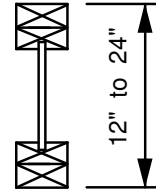
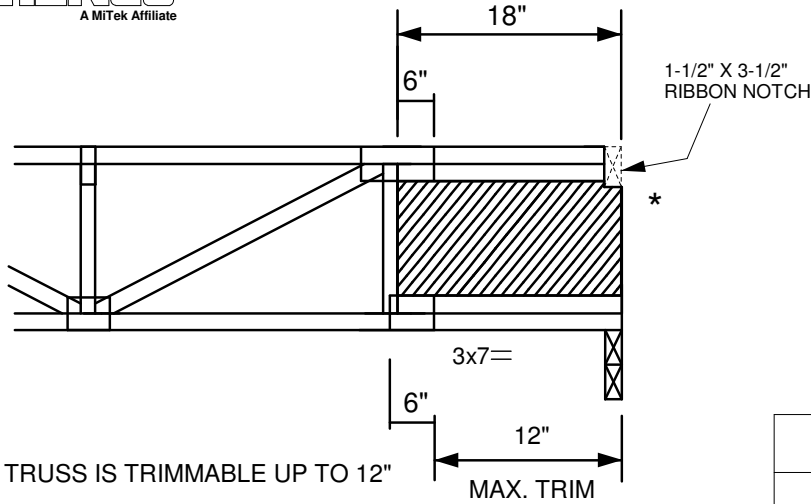


MiTek USA, Inc.
ENGINEERED BY
TRENCO
A MiTek Affiliate

SEE THE MiTek TRUSS DESIGN
REFERENCING THIS DETAIL
FOR ADDITIONAL DESIGN INFORMATION

9" to 21"
PRE-FABRICATED
WOOD "I - JOIST "
PLATED IN PLANE OF TRUSS



TRUSS IS TRIMMABLE UP TO 12"

MINIMUM BEARING SIZE IS 1-3/4"

MAX REACTION = 1320 lbs (Including loads from above)

* RIM BOARD REQUIRED TO SUPPORT LOADS FROM ABOVE

WOOD "I - JOIST " MINIMUM REQUIREMENTS		
FLANGE TO MATCH TRUSS CHORD SIZE		
1-3/4" REACTION LIMIT WITHOUT WEB STIFFENER MUST BE = TO OR > THAN REACTIONS SHOWN		
FLANGE Ft	3x2 = 736 psi	4x2 = 509 psi