

MiTek[®] MATCHPOINT[®] DIRECTDRIVE[™] DAILY PROCEDURE



WARNING

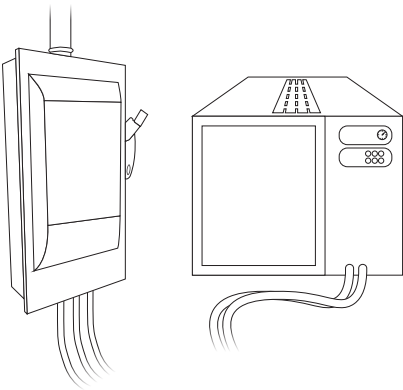
Do NOT use this document as a substitute for machinery manuals. Refer to each machine's manual for safety, operating, and maintenance information.

Failure to follow safety, operating, and maintenance procedures in each manual may result in severe injury or death.

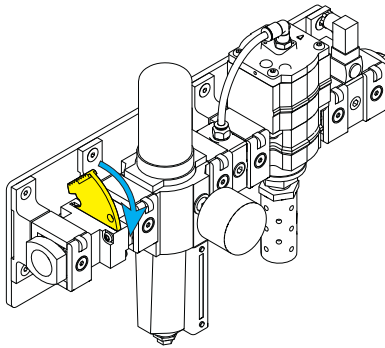
Purpose and Scope

This document informs trained operators of the *MatchPoint[®] DirectDrive[™]* system of the steps required to activate the system. It addresses activation procedures only.

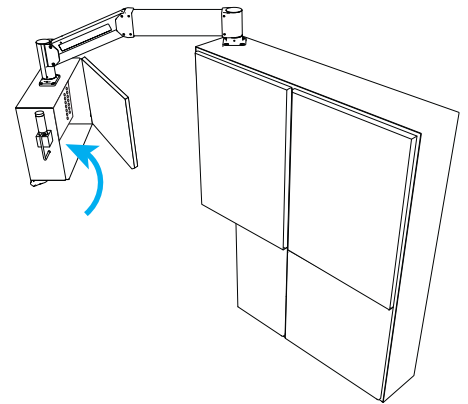
- ① Turn any necessary electrical power supply and pneumatic power supply on.



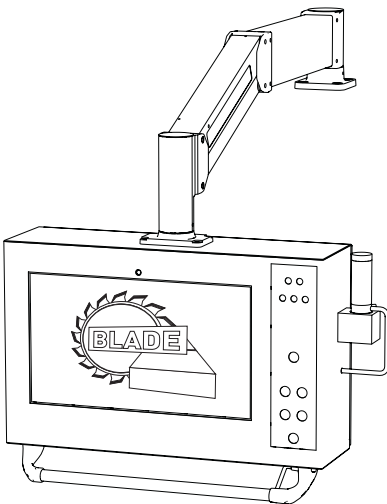
- ② Open the lockout valves on the filter / regulators. Filter / regulators are located on the *BLADE* saw, on the *Ranger* retrieval system, and on the *CDS* transfer conveyor nearest to the saw.



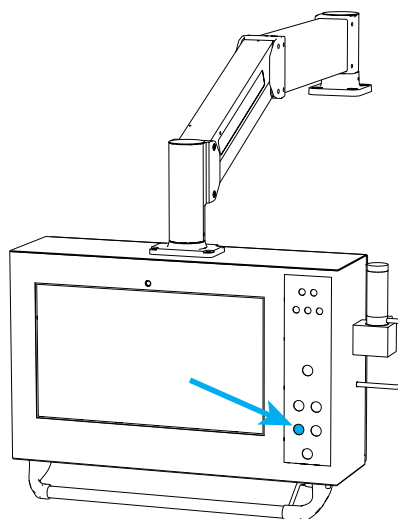
- ③ If the *BLADE* touch screen doesn't start, open the back of the *BLADE* touch screen enclosure and start it.



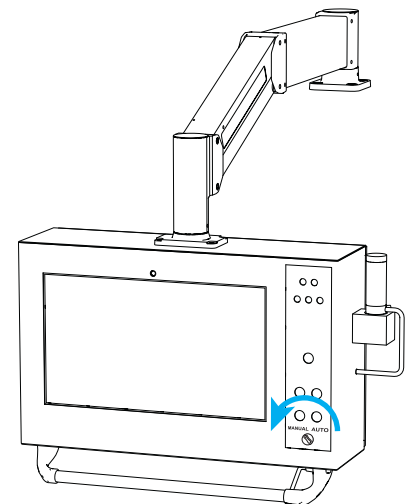
- ④ Open the *BLADE* software on the touch screen computer.



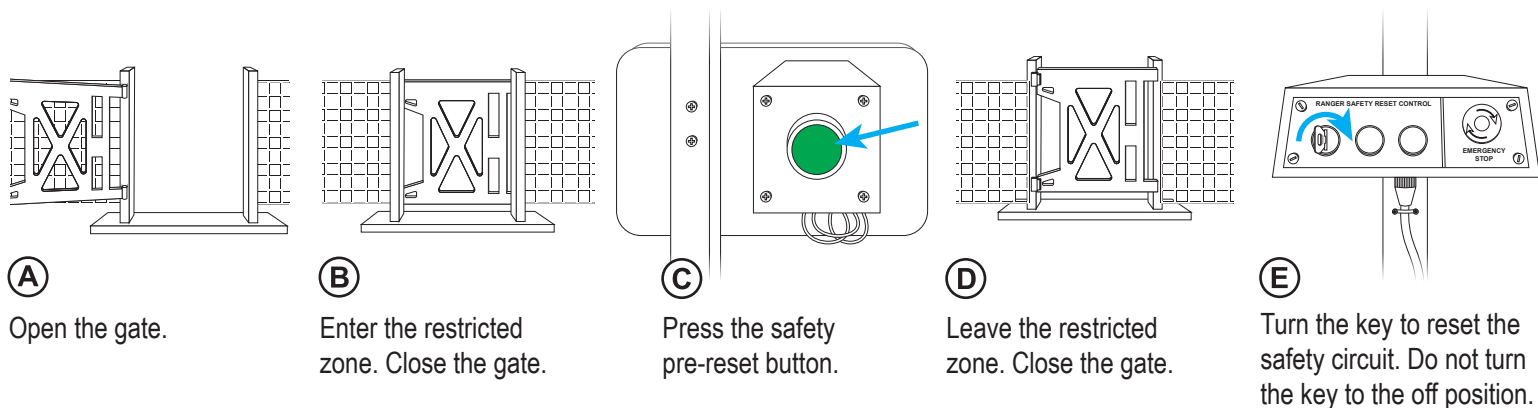
- ⑤ Press the Reset button on the *BLADE* saw.



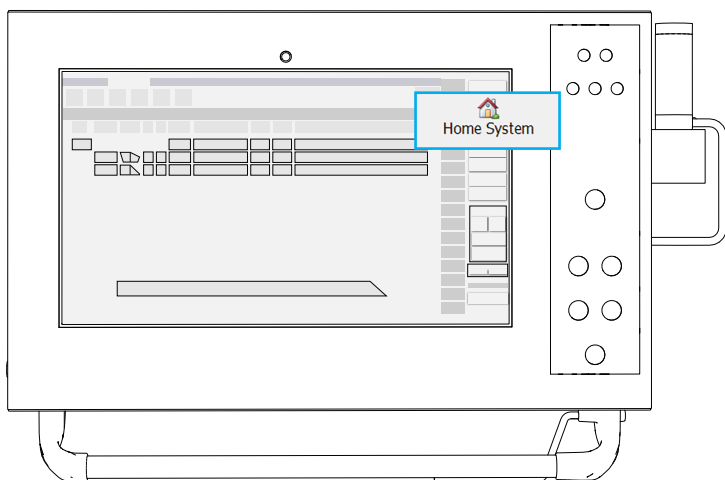
- ⑥ Turn the selector switch on the *BLADE* saw to Manual.



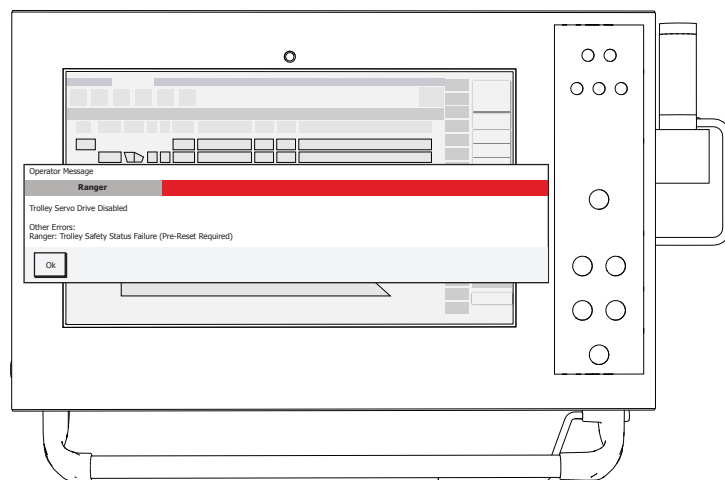
7 Set the *Ranger* retrieval system light curtain using the following steps.



8 Using the *BLADE* software, press **Home System** to home both the *Ranger* retrieval system and *BLADE* saw at the same time. When the *Ranger* brake check dialog box appears afterward, press **Ok** to dismiss it.



9 Repeat step 7 to set the *Ranger* retrieval system light curtain again. The dialog box containing the Trolley Safety Status Failure message should disappear.



10 Using the *BLADE* software, press **Ranger EX > Scan All** to scan the lumber yard.



11 Perform the safety tests for the *BLADE* saw and *CDS* using their manuals.

12 Turn the selector switch on the *BLADE* saw to Auto. The system is ready to operate.

