



# Suggested Spare Parts and Supplies

For the **BLADE™** and  
**BLADE II™** saws

Automation Documentation

# Useful Items to Have On-Hand

- Mouse and Keyboard

Wireless recommended



- Tape Measure

16' or 20'/25' depending on your infeed length

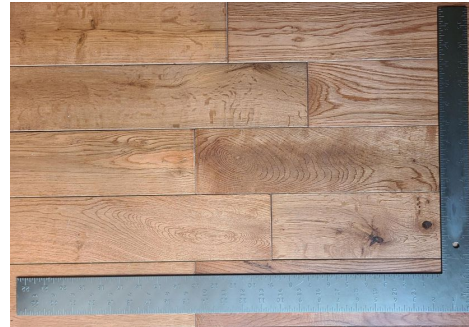


- Combination square



- Small Framing Square

Useful for calibration



- Spare Parts Checklists



BLADE II



BLADE

- Plexus® cleaner

Use for cleaning the plexiglass



# BLADE Spare Parts Kit

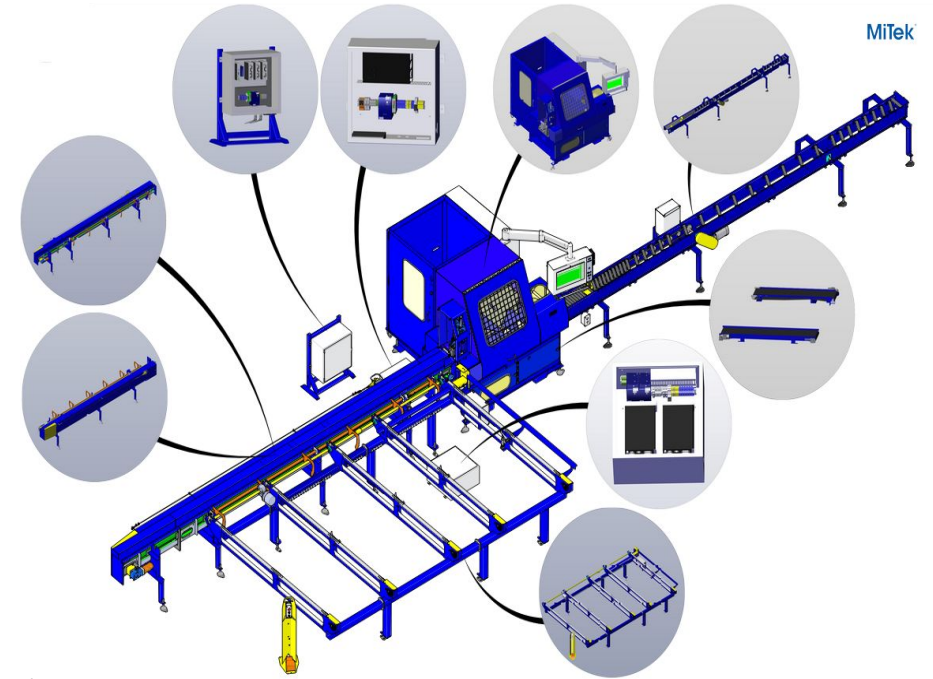
The **BLADE Saw Spare Parts kit (PN 89061-901)** comes with every BLADE saw and has useful items for maintaining a BLADE saw.

There is also a supplemental spare parts kit (PN 89061-910) available. Contact Automation Support for more information or to replenish your kit.

The items included in the spare parts kit (89061-901) are:

- **005-02501** Pulley, 66AT10/32
- **416103** Bearing Block
- **416104** M6-75-45-LAS, Bearing Block
- **423439** Sensor, PNP, 0830100632
- **423448** SENSOR, HSCX, SOLID STATE
- **423451** Solid State Switch
- **423542** Solid State Sensor
- **423456** 6mm, 10 M-Cable, Bosch bearing set
- **471339** MTR, SERVO, GE
- **503176** E-CHAIN, 93 LINKS
- **515990** 6FT WK4.4T-2 CONN, 4pin, male 90 DEG
- **515991** Cable, EUROFST, 4P, FLX, STR
- **516395** Fuse, LP-CC-6
- **516396** 6AMP Fuse, LP-CC-30
- **516488** Fuse, LPJ-10SP-10A
- **516489** Fuse, LPJ-15SP-15A
- **515772** Kit Cable, 3 Pin, 4 meter
- **515947** Prox, PNP, 24VDC, NO, 18mm
- **515948** Prox, PNP, 24VDC, MC, 18mm
- **515964** Prox, PNP, 24VDC, NO, 8mm
- **515986** Cable, EUROFST, 4P Female Fuse, LPJ-25SP-25A
- **516491** Fuse, 4A TIME DELAY, MDL-4
- **516533** Fuse, 3A TIME DELAY, MDL-3
- **516551** FUSE, 20A, LP-CC-20
- **516572** FUSE, 25A
- **516578** FUSE, 2A
- **516630** CABLE, SERVO, MTR, POWER
- **519948** CABLE, SERVO, MTR, ENCOD
- **519949** SERVO, MOTOR, CONNECTOR KIT
- **519950** CABLE, SERVO, MTR, ENCOD (INTERCON)
- **519953** CONN, KIT, SERVO, MTR PWR
- **519970** Polyethylene Tote Hinged Lid
- **524060** BELT, TIMING, AT-10x50MM x696IN
- **530030-696.00** Combination Square, 12" blade
- **563086** Torque Wrench, 3/8", 30-250 IN-LBS
- **814130** 3/8" DRIVE TORX BIT T40
- **814131** Field Install Kit, Angle Cable for BLADE saw
- **97111-601** BLADE Saw Motor Cable Replacement
- **SB204KIT**

## BLADE Spare Parts Guide



- **SB223KIT** LASM Seal Installation Kit
- **SB230KIT-B** Kit to Replace Old CLS with New Style

# BLADE II Spare Parts Kit

The **BLADE II Saw Spare Parts kit (PN 76100-901)** comes with every BLADE II saw and has useful items for maintaining a BLADE saw.

There is also a supplemental spare parts kit (PN 76100-910) available. Contact Automation Support for more information or to replenish your kit.

The items included in the spare parts kit (76100-901) are:

- **005-02501** PULLEY, 66AT10/32, LR: 19980, KC060756
- **195004** IOMM, 12PT, BOX END TORQ ADAPTER EXTENSION, BLADE
- **195005** 5/32", TAMPER RESISTANT, ALLEN WRENCH, BLADE IIA
- **416103** BEARING BLOCK, HIWIN HGW-25 -CC-ZOC-t-KH+SF-S6
- **416106** FTG, GREASE, M6 THREAD M6-75-45-LAS
- **416104** BEARING BLOCK, HIWIN HGH-20-CA-ZOC+KH
- **416105** FTG, GREASE, M6 THREAD 3432000C
- **471015** MTR,SERVO,AKM42G,EMERSON ICS30M42G-GC9NCA00
- **471017** MTR,SERVO,AKM42G,EMERSON ICS30M42G-GC92CA00
- **503075** CABLE,CARRIER,IGUS,65LNK E2I-12-20-048NCST W/ENDS
- **503079** E-CHAIN 20FT INFEED 117 LINK IGUS1480-03S-100NC-
- **504846** CABLE,SERVO,6M,PWR/FB/BR CC31A2-015-006-00 (EMR)
- **504847** CABLE,SERVO,3M,PWR/FB/BR CCJ1A2-015-003-00 (EMR)
- **509924** CABLE,F-M,STR,3M,M8 8003132 (FESTO)
- **509927** CABLE,F-M,STR,15M,MS
- **515139** NEBU-MSG3-K-15-M8G3 SAFETY SWITCH, SCHVERSAL
- **515140** ÅZM40B-I2-ST-1P2P-PH ACTUATOR FOR AZM40
- **516015** AZM40-B1-PH, SCHMERSAL PROX,NO,MS,4mm,24VDC,3P
- **516102** E2E-X4B1D8-M5 (OMRON) FUSED,SWITCH,30A,600V,CC
- **516393** ,CCP2-3-30CC (BUSS) FUSE,LP-CC-15,CLASS-CC,
- **516491** 15AMP(BUSS) FUSE,LPJ-25SP,25A(BUSS)
- **516528** FUSE, 1/4X1-1/4, 1A TIME
- **530030-696.00** Lid,26-7/8x16-7/8x12-1/8 BELT,TIMING,AT-10x50MM
- **563086** 50mm WIDE, (Polytech) COMBINATION SQUARE, 12"
- **814130** BLADE, 2007A9 TORQUE WRENCH,3/8" DRIVE
- **814131** 30-250 IN.IBS #250MRMH 3/8" DRIVE TORX BIT T40
- **89145** #35185 STATIONARY JAW
- **89347-501** CYL,GUIDED GPC63.50MM 2.1 #/FT
- **SB233KIT** 2-2/2 \*\*4.4 #/FT BLADE, LASM SEAL
- **SB230KIT-B** INSTALLATION BLADE, KIT TO REPLACE
- **SB260KIT** SBKIT, BLADE II, SAW

BLADE II Parts Guide Coming Soon!



## AUTOMATION DOCUMENT LOCATOR



### WARNING

CUT, CRUSH, AND ELECTROCUTION HAZARDS.

Every person working on or near this equipment must watch or read the safety documentation listed below before working near this equipment!

Failure to follow safety, operating, and maintenance procedures in the safety documents listed below may result in severe injury or death.



## SAFETY INFORMATION

<https://www.mitek-us.com/resources/machinery/safety-videos/>

Use our safety information as part of your own safety training program for every employee.

Safety information may be available in English and Spanish.



## PARTS GUIDES

<https://www.mitek-us.com/resources/machinery/find-and-order-parts/>

Use our interactive Parts Guides to easily locate part numbers and make ordering replacement parts faster and easier.



## EQUIPMENT MANUALS

<https://www.mitek-us.com/resources/machinery/equipment-manuals/>

Keep a printed copy of the Operation section at the machine and the Maintenance section where maintenance can easily find it.

Color images must be printed in color for clarity.

The manual's safety section is provided in English and Spanish.

Parts

Online

In-Person

## CONTACT AUTOMATION SUPPORT

E-mail: [mitekparts@mii.com](mailto:mitekparts@mii.com) (with part number)

Web site: [mitek-us.com](http://mitek-us.com)

Videos: [www.youtube.com/mitek-usa](http://www.youtube.com/mitek-usa)

301 Fountain Lakes Industrial Drive.

St. Charles, MO 63301

E-mail: [machinerysupport@mii.com](mailto:machinerysupport@mii.com)

Phone: 800-523-3380