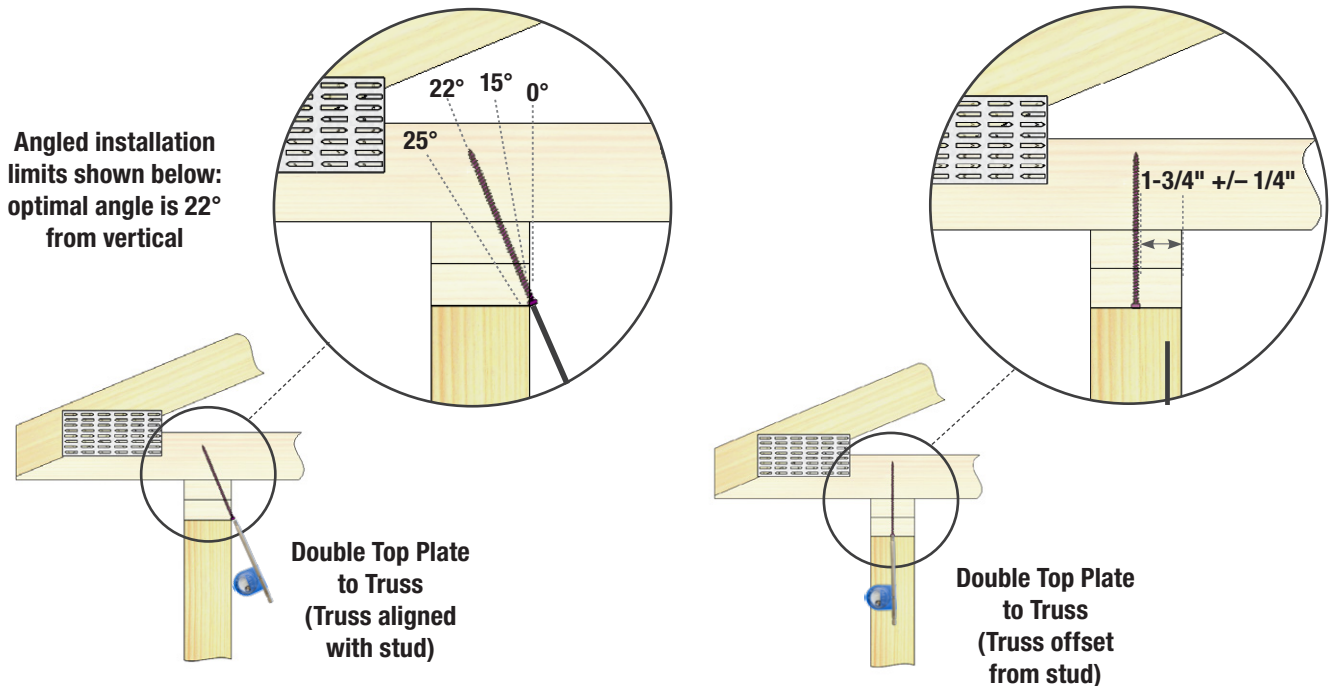
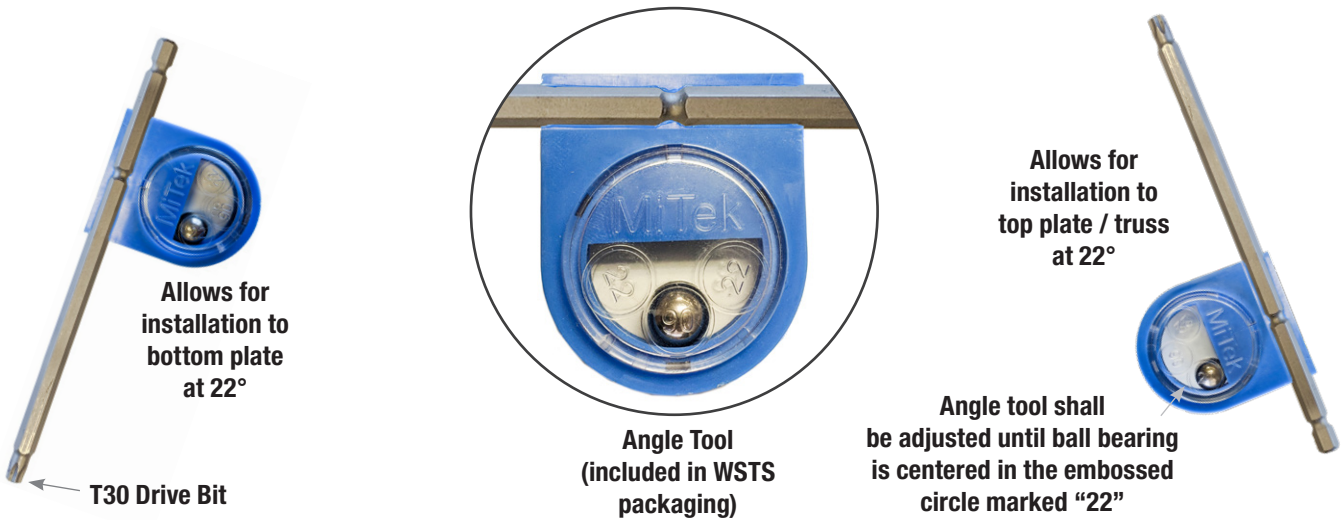


WSTS INSTALLATION GUIDE

The MiTek Pro Series WSTS Truss Screw installation is simplified with the use of an included hands free angle tool. This tool guides the installer to ensure proper installation angle.

WSTS Screw: U.S. Patent No. 10,823,218

Angle Tool: U.S. Patent No. 10,639,769

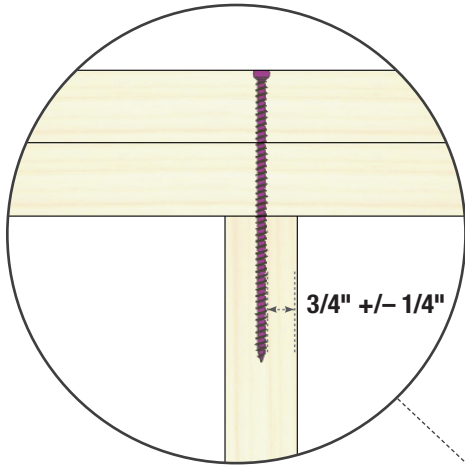


Customer Service & Technical Assistance

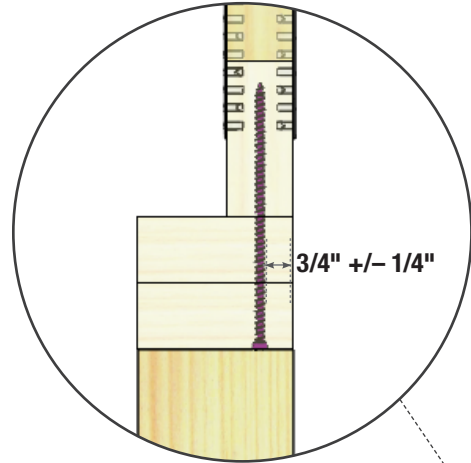
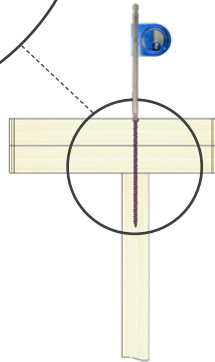
Phone: 1-800-328-5934 • Fax: 1-952-898-8605 • Email: customerservice@mii.com

MiTek-US.com

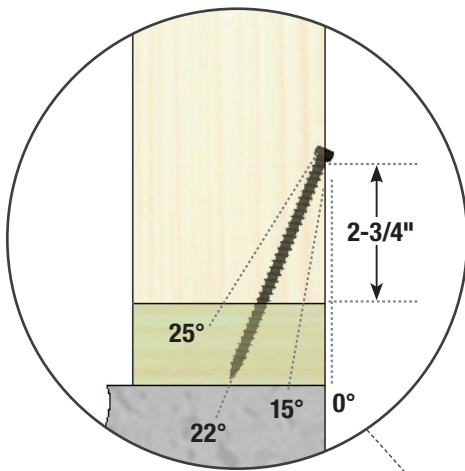
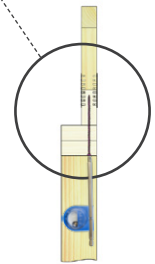
WSTS INSTALLATION GUIDE



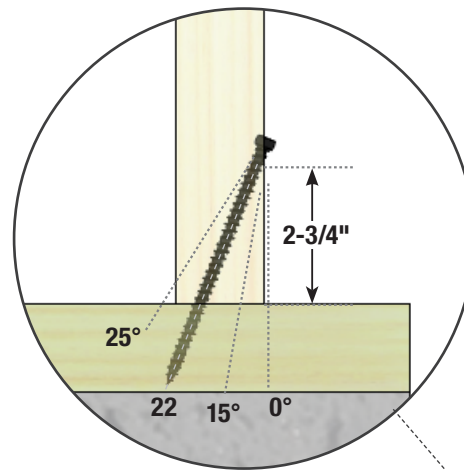
Double Top Plate to Stud



Double Top Plate to Truss (End Wall)



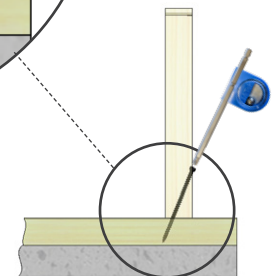
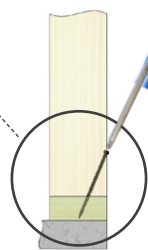
Angled installation limits shown below: optimal angle is 22° from vertical



Tool indicates 22° from vertical

Stud to Single Bottom Plate Narrow Face (WSTS45)

Stud to Single Bottom Plate Wide Face (WSTS45)



Customer Service & Technical Assistance

Phone: 1-800-328-5934 • Fax: 1-952-898-8605 • Email: customerservice@mii.com